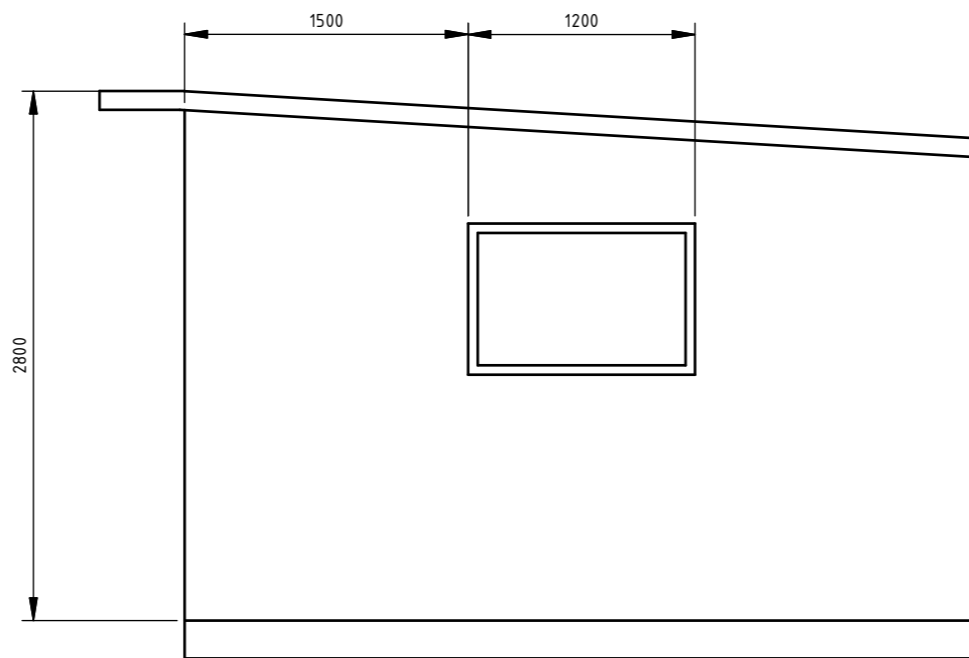
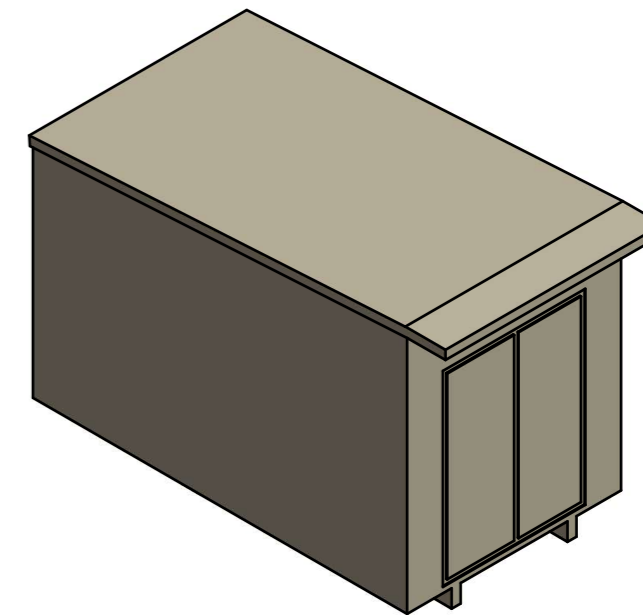


FRONT ELEVATION  
SCALE 1:20

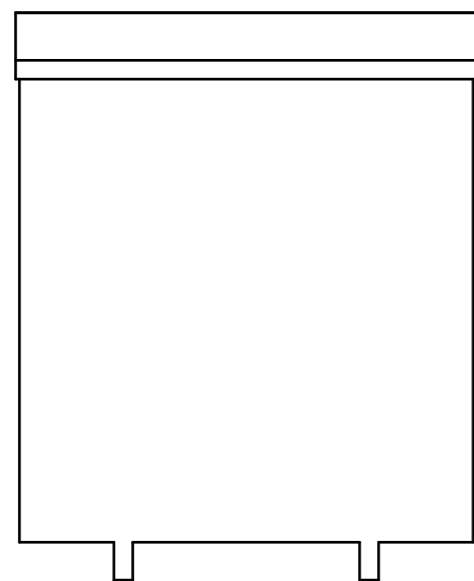


SIDE ELEVATION  
SCALE 1:20

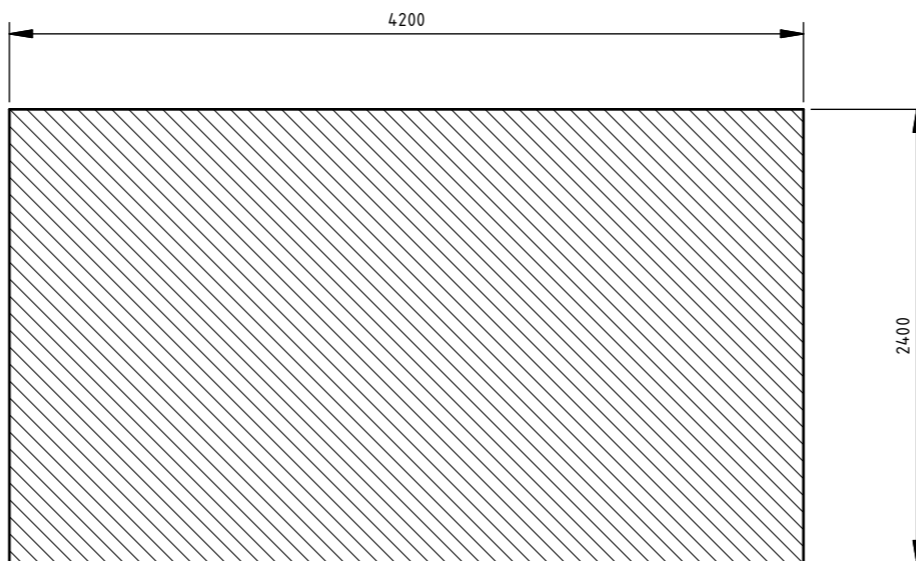


FRONT LEFT ISOMETRIC  
SCALE 1:30

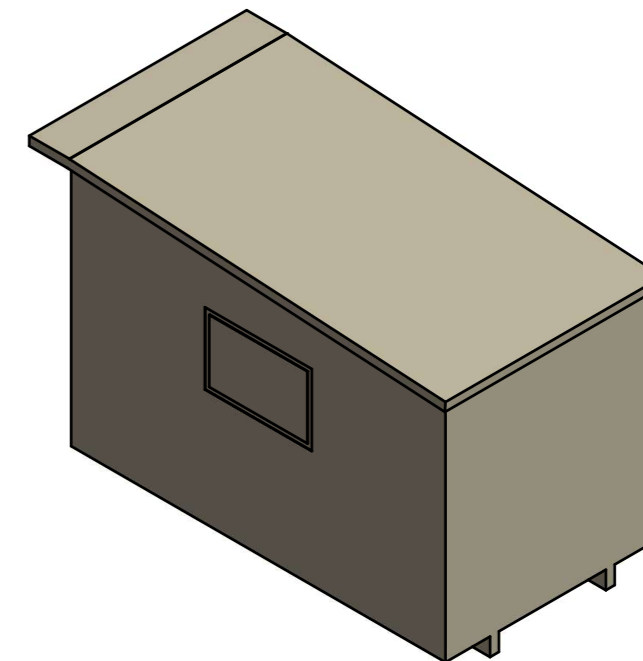
*CLASSIC OXFORD CABIN*



REAR ELEVATION  
SCALE 1:20



CABIN FOOTPRINT  
SCALE 1:20



REAR RIGHT ISOMETRIC  
SCALE 1:30